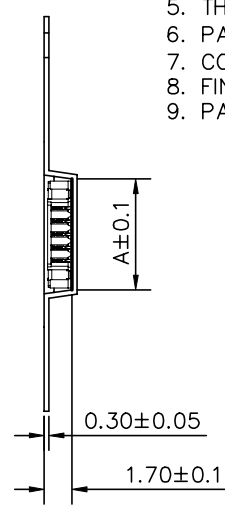
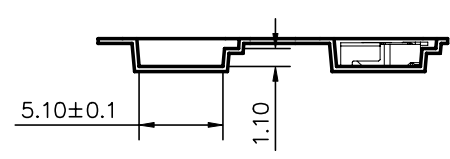
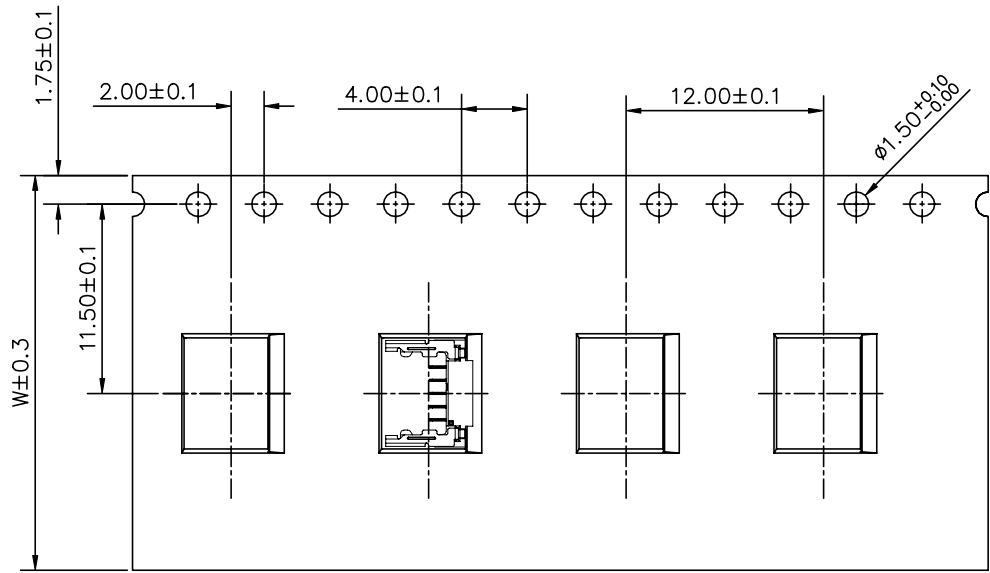


- NOTES:
1. 10 SPROCKET HOLE PITCH CUMULATIVE TOLERANCE ±0.20mm
  2. CARRIER CAMBER NOT TO EXCEED 1mm IN 100mm.
  3. ALL DIMENSIONS MEET EIA-481-D REQUIREMENTS.
  4. MATERIAL: BLACK ANTI-STATIC POLYSTYRENE.
  5. THICKNESS: 0.30 ± 0.05 mm.
  6. PACKING LENGTH PER 13" REEL : 33 METERS.
  7. COMPONENT LOAD PER 13" REEL : 2500 PCS.
  8. FINISHED PRODUCT IS PUT THE DIRECTION TO NEED UNANIMITY
  9. PART NUMBER

52370-XXXCR-XX  
 NO OF CKT ———— | ———— 00: NORMAL  
 U: PLASTIC

CKT	DIM W	DIM A
004	24.00	5.95
005	24.00	6.75

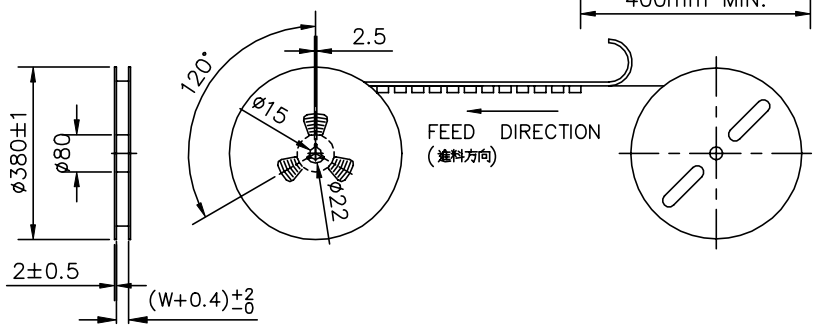
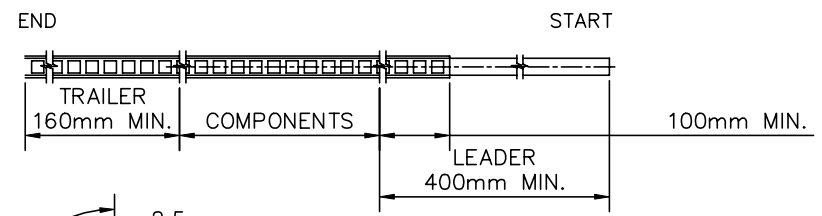
<b>QUALITY SYMBOLS</b> MAJOR Ⓢ CRITICAL Ⓢ	DRAWN BY Tsai, Wang Kun 23/08/03	DATE 23/08/03		
	CHECKED BY Liu, Yuan Huang 23/08/03	DATE 23/08/03		<b>TITLE</b> 0.80mm Pitch WTB Wafer Conn. SMT S/R S/T Type
APPROVED BY Huang, Kuo Hua 23/08/03	DATE 23/08/03	UNITS mm		
<b>GENERAL TOLERANCES</b> ( UNLESS SPECIFIED ) X. ±0.5 X ±0.25 .XX ±0.15 .XXX ±0.1 ANGLES ±2°	SCALE 1:1	SHEET NO. 1 OF 3		RFG NO. 2306158
		SCALE 1:1	REV 1	DWG NO. EN-52370-XXXXX-XX-TRP



NOTES:

1. 10 SPROCKET HOLE PITCH CUMULATIVE TOLERANCE.±0.20mm
2. CARRIER CAMBER NOT TO EXCEED 1mm IN 100mm.
3. ALL DIMENSIONS MEET EIA-481-D REQUIREMENTS.
4. MATERIAL: BLACK ANTI-STATIC POLYSTYRENE.
5. THICKNESS: 0.30 ± 0.05 mm.
6. PACKING LENGTH PER 15" REEL : 50 METERS.
7. COMPONENT LOAD PER 15" REEL : 4000 PCS.
8. FINISHED PRODUCT IS PUT THE DIRECTION TO NEED UNANIMITY
9. PART NUMBER

52370-XXXCR-XX  
 NO OF CKT ——— U5: PLASTIC



CKT	DIM W	DIM A
004	24.00	5.95
005	24.00	6.75

<b>QUALITY SYMBOLS</b> MAJOR Ⓢ CRITICAL Ⓢ <b>GENERAL TOLERANCES (UNLESS SPECIFIED)</b> X. ±0.5 X ±0.25 .XX ±0.15 .XXX ±0.1 ANGLES ±2°	DRAWN BY Tsai, Wang Kun	DATE 23/08/03		
	CHECKED BY Liu, Yuan Huang	DATE 23/08/03		TITLE 0.80mm Pitch WTB Wafer Conn.
	APPROVED BY Huang, Kuo Hua	DATE 23/08/03		SMT S/R S/T Type
	UNITS mm			SIZE A4
SCALE 1:1	SHEET NO. 2 OF 3	REV 1	DWG NO. EN-52370-XXXXX-XX-TRP	